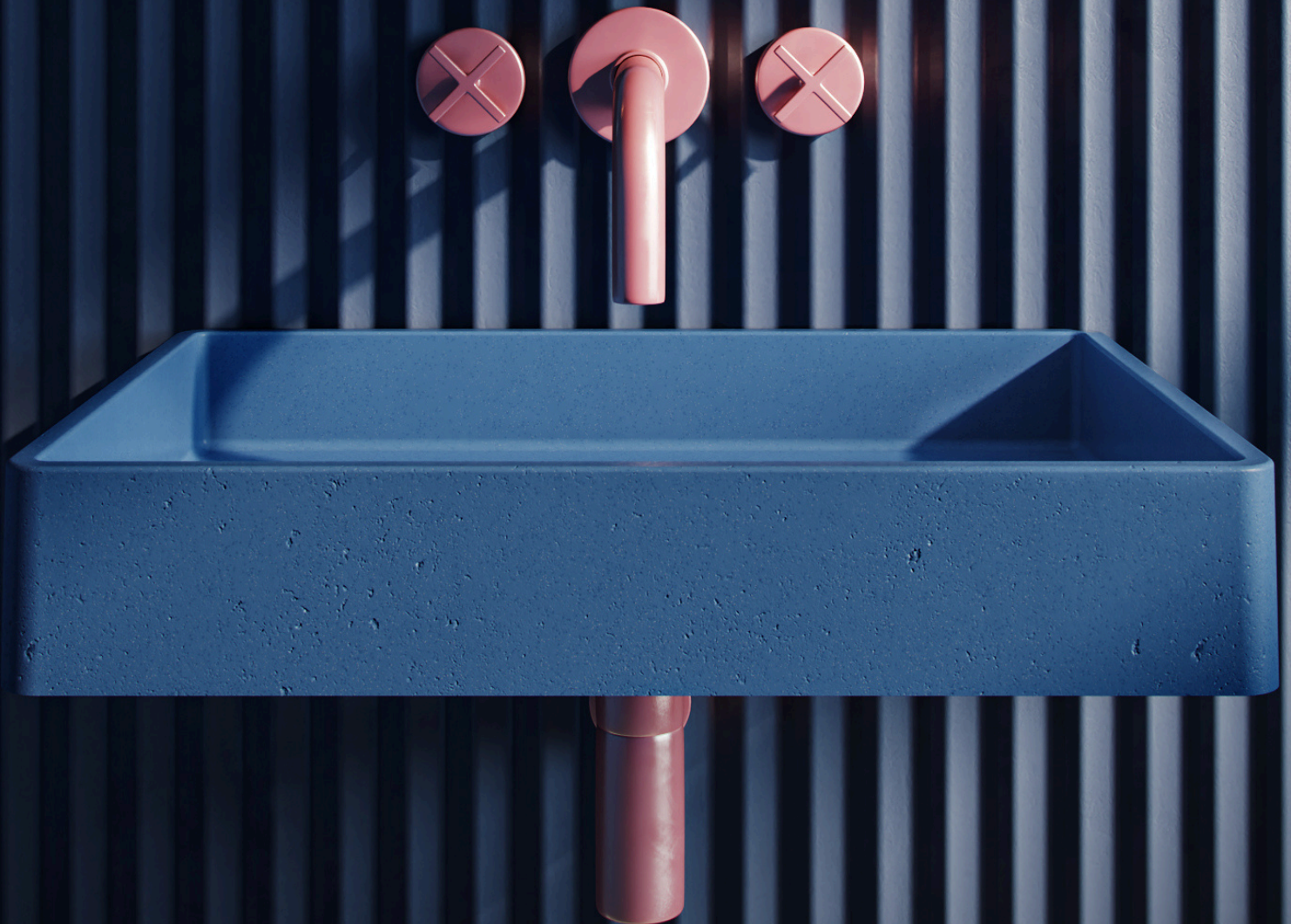




crete  
collective  
product catalog



# contents

foreword  
1

lily  
2-3

lily sq  
4-5

lily rec  
6-7

geni  
8-9

elle  
10-11

clio  
12-13

clio rec  
14-15

colors  
16-17

consoles  
18-19

console +  
color  
20-21





crete sinks were born out of a desire to design, inspire and create a sustainable luxury product that is accessible to everyone.

45% recycled materials  
made by hand in Canada  
100% recyclable

sink into style with





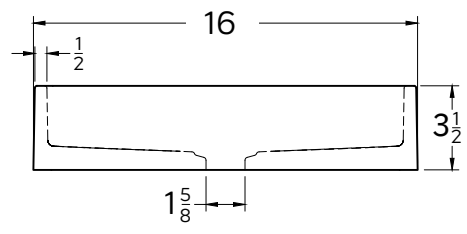
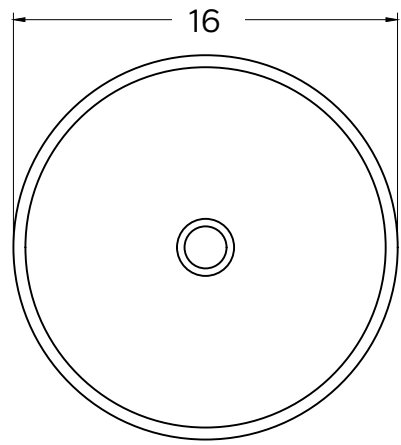
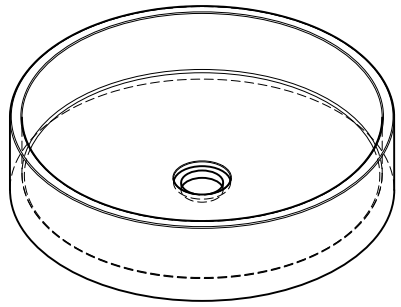
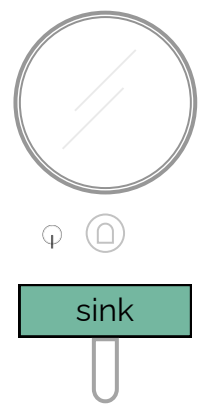
product name **lily**

SKU: WBLILY16

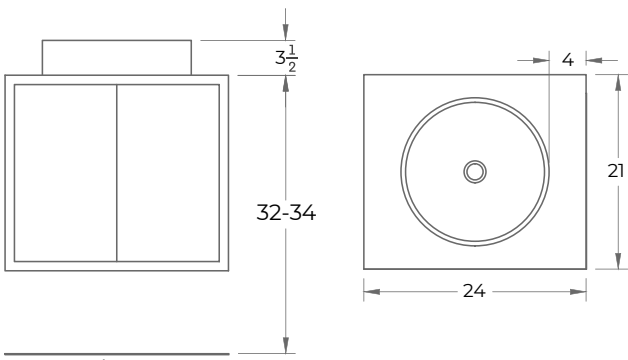
dimensions **16" x 16" x 3 1/2"**

available in 30+ colors

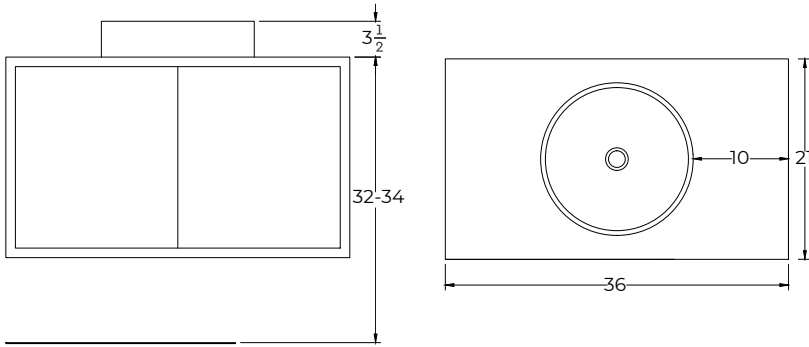
sample installation



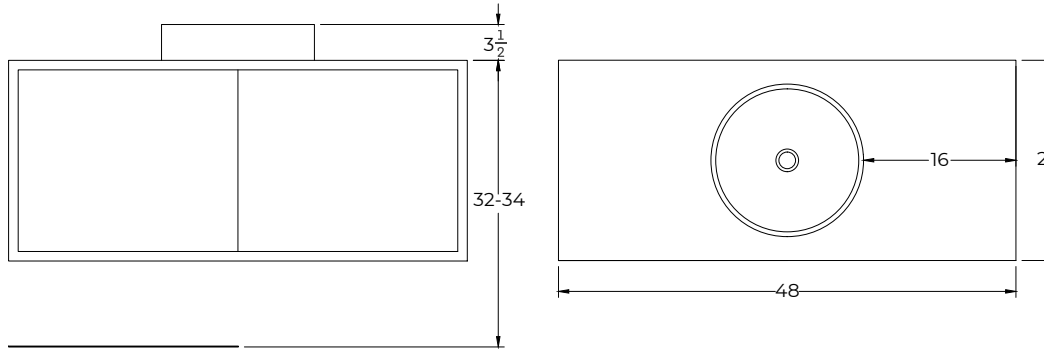
details MATERIAL: ultra high performance concrete  
WEIGHT: 18 lbs  
DIMENSIONS: 16" x 16" x 3 1/2"  
DRAIN: do not exceed 1-1/2" drain diameter  
WARRANTY: 1 year manufacturers warranty  
DRAIN HOLE: 1-5/8"  
WALL THICKNESS: 1/2"  
OPTIONS: surface mount / stand / wall mount  
WALL HANG: mount before tiling - to timber frame or masonry wall.



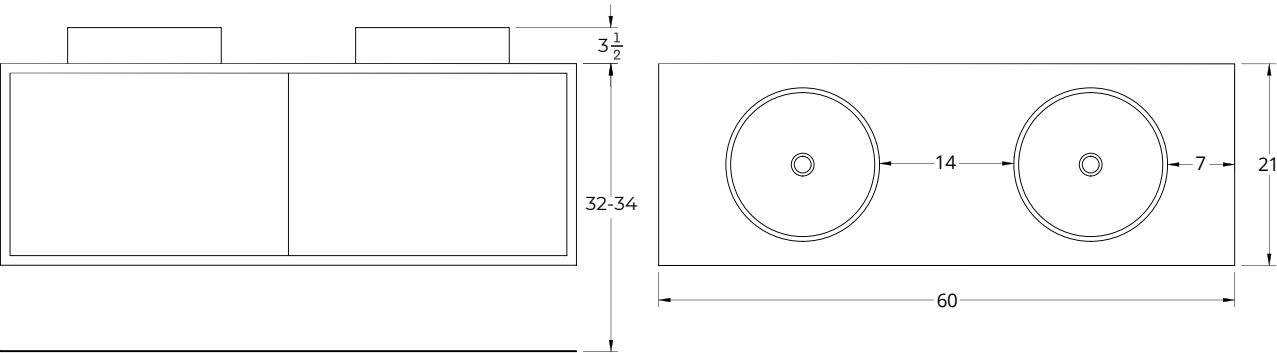
24" vanity



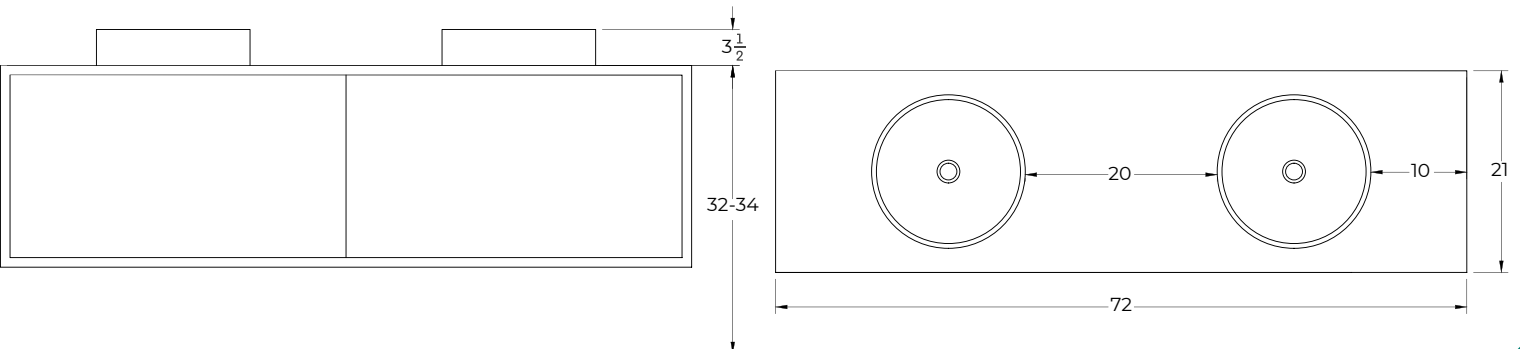
36" vanity



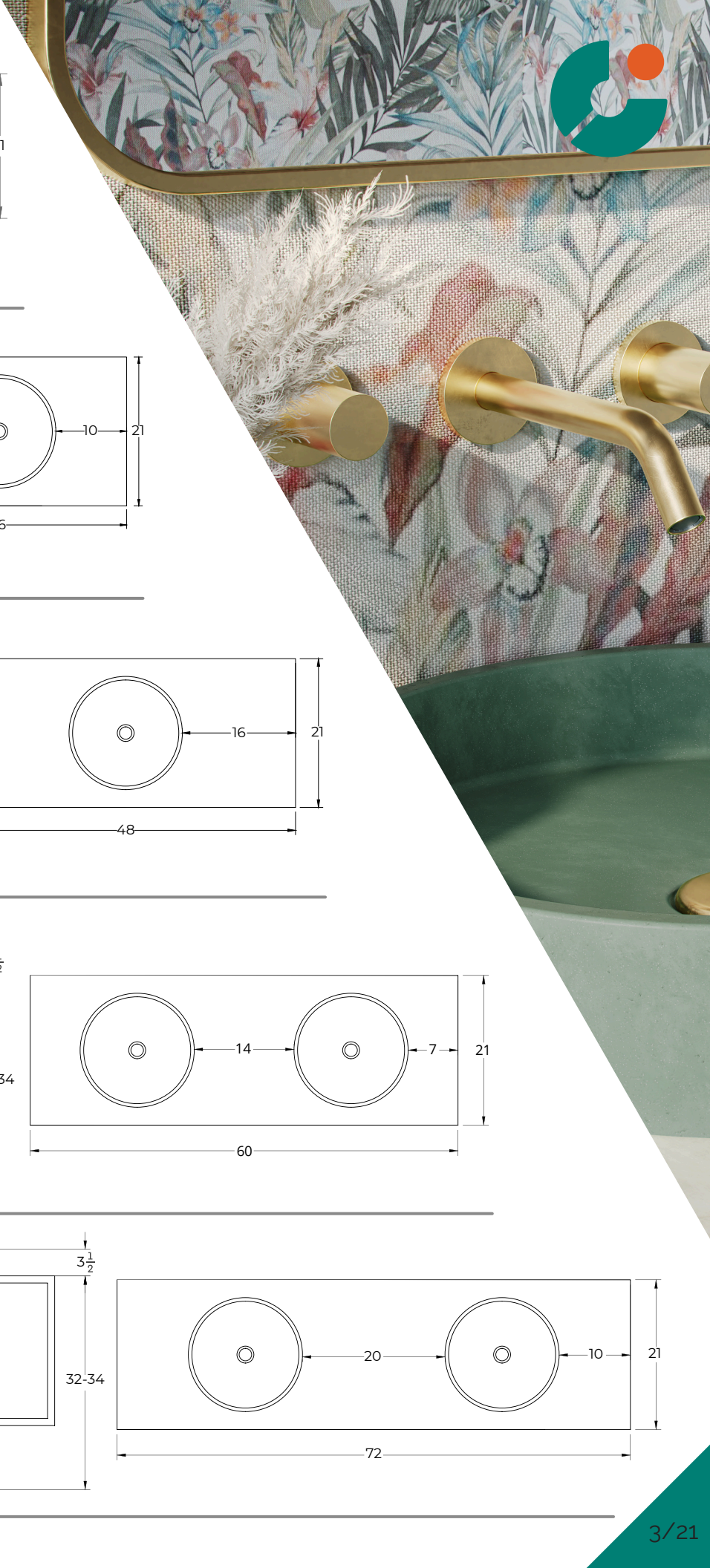
48" vanity



60" vanity



72" vanity





product  
name

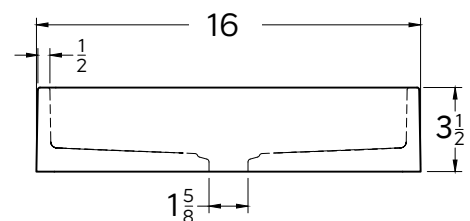
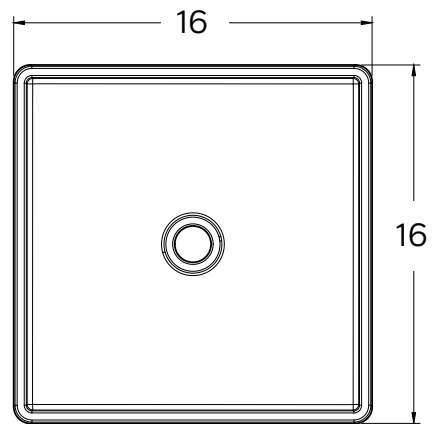
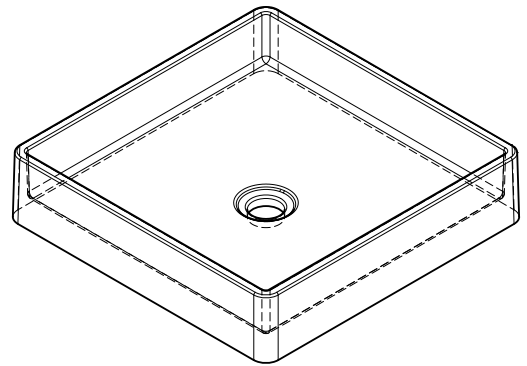
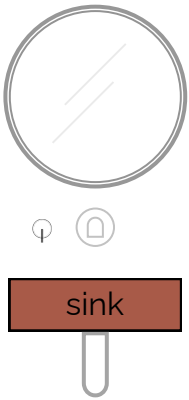
lily sq

SKU: WBLILS16

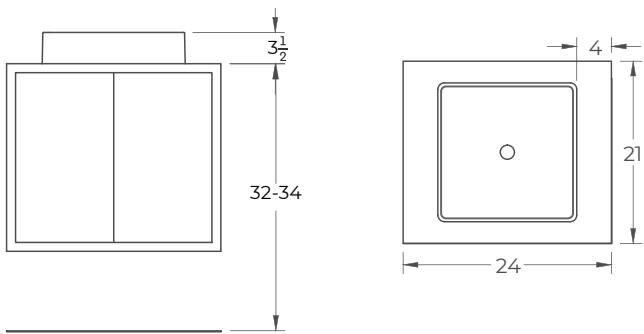
dimensions 16" x 16" x 3-1/2"

available in 30+ colors

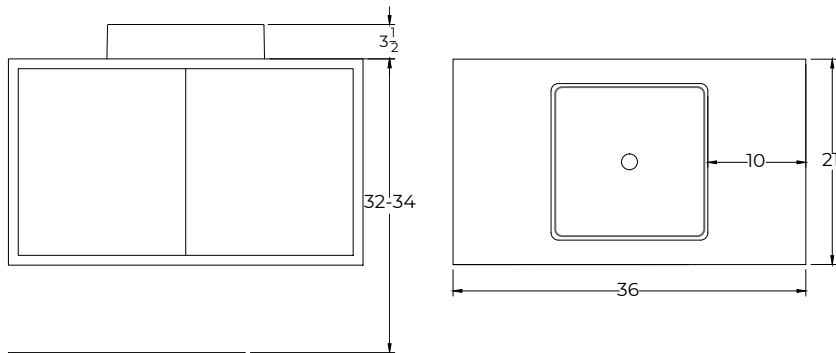
example  
installation



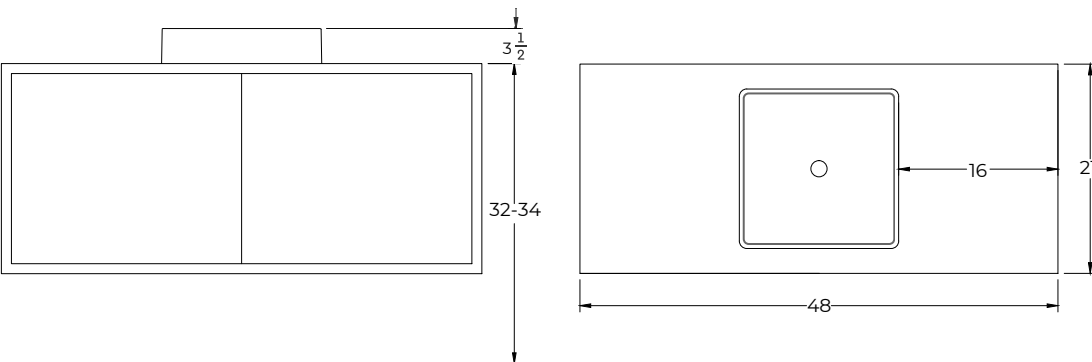
details MATERIAL: ultra high performance concrete  
WEIGHT: 22 lbs  
DIMENSIONS: 16" x 16" x 3-1/2"  
DRAIN: do not exceed 1-1/2" drain diameter  
WARRANTY: 1 year manufacturers warranty  
DRAIN HOLE: 1-5/8"  
WALL THICKNESS: 1/2"  
OPTIONS: surface mount / stand / wall mount  
WALL HANG: mount before tiling - to timber frame  
or masonry wall.



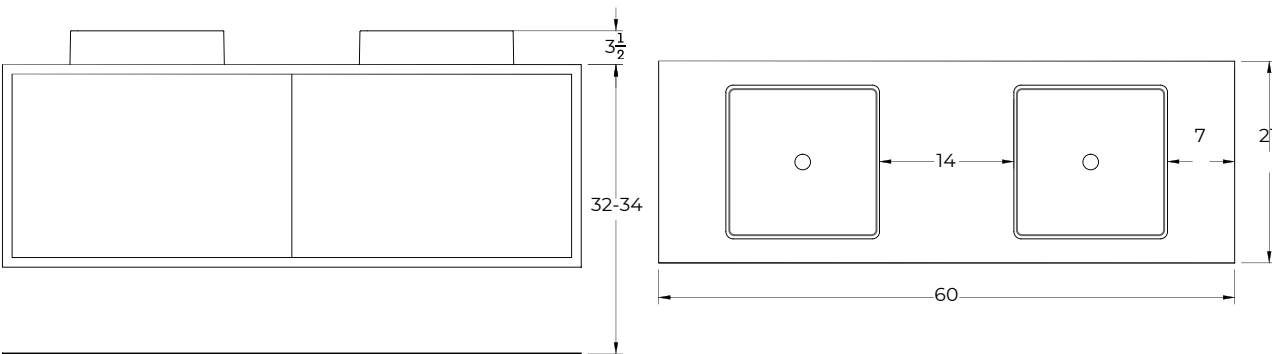
24" vanity



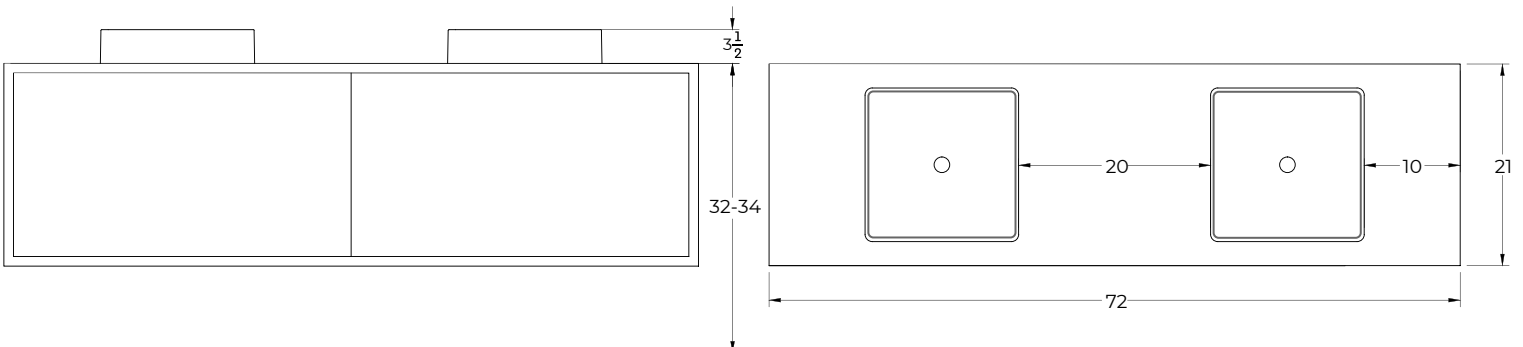
36" vanity



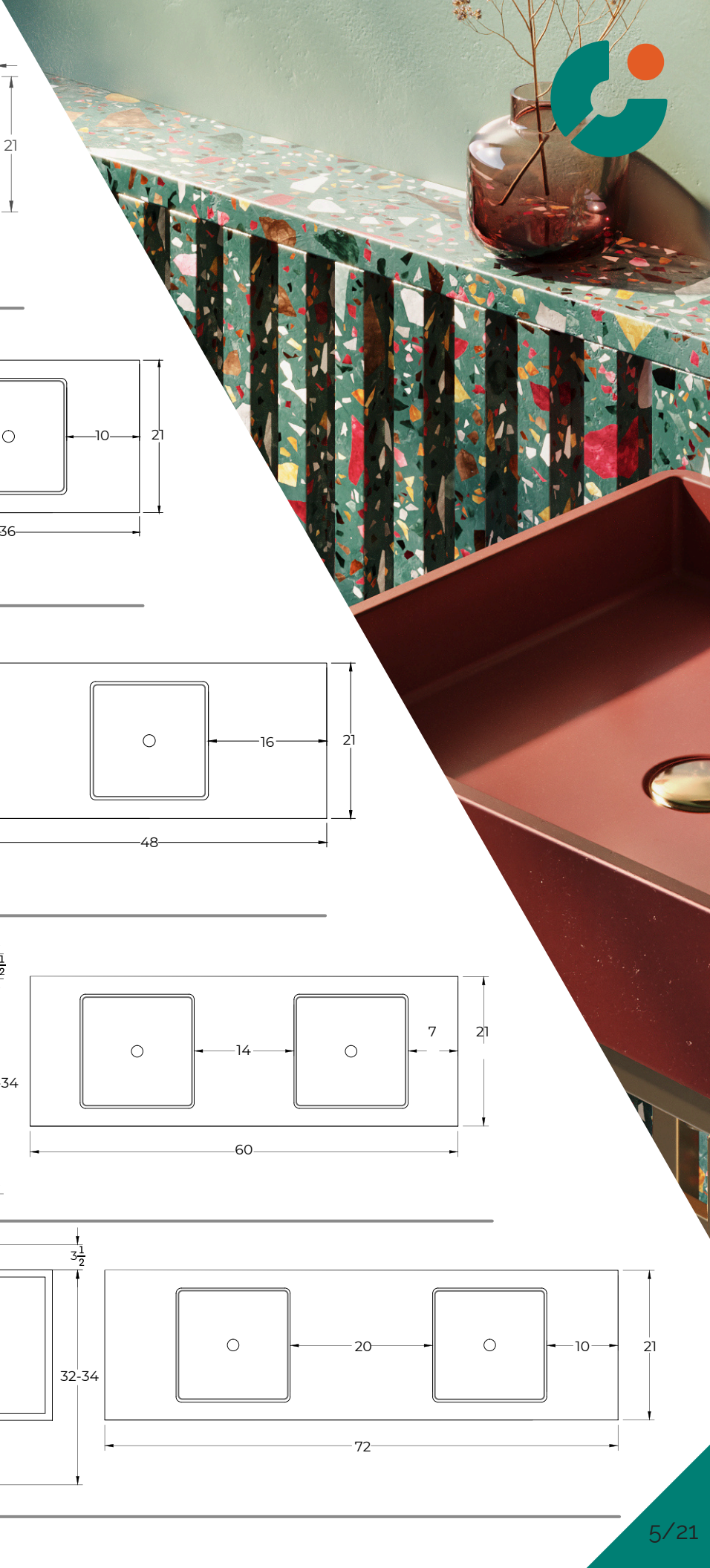
48" vanity



60" vanity



72" vanity





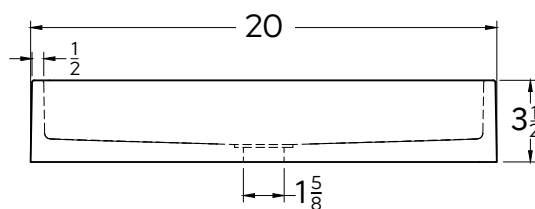
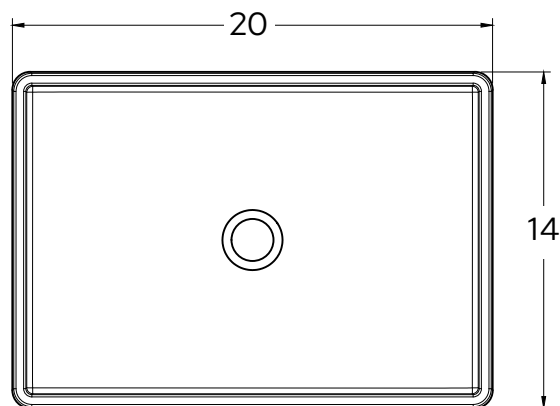
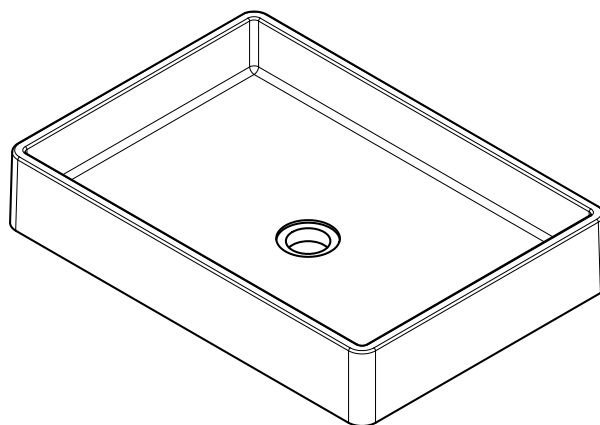
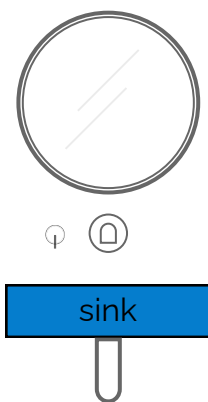
product name **lily rec**

SKU: WBLILR20

dimensions **20" x 14" x 3-1/2"**

available in 30+ colors

example installation



details MATERIAL: ultra high performance concrete

WEIGHT: 26 lbs

DIMENSIONS: 20" x 14" x 3-1/2"

DRAIN: do not exceed 1-1/2" drain diameter

WARRANTY: 1 year manufacturers warranty

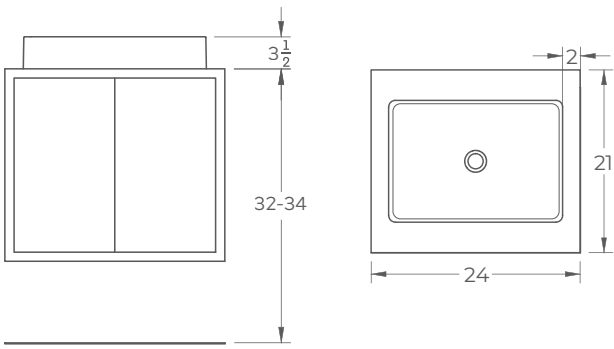
DRAIN HOLE: 1-5/8"

WALL THICKNESS: 1/2"

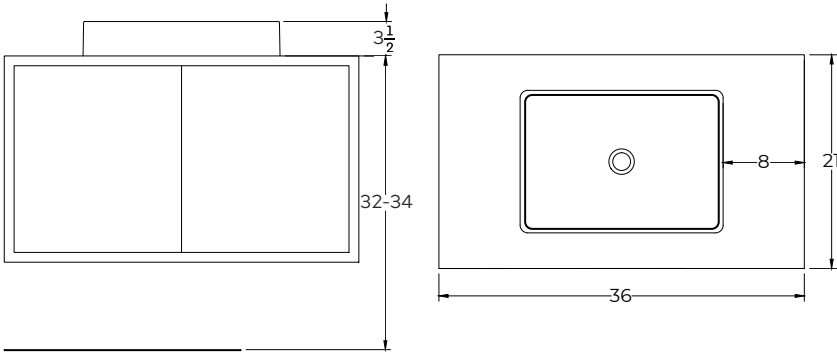
OPTIONS: surface mount / stand / wall mount

WALL HANG: mount before tiling - to timber frame or masonry wall.

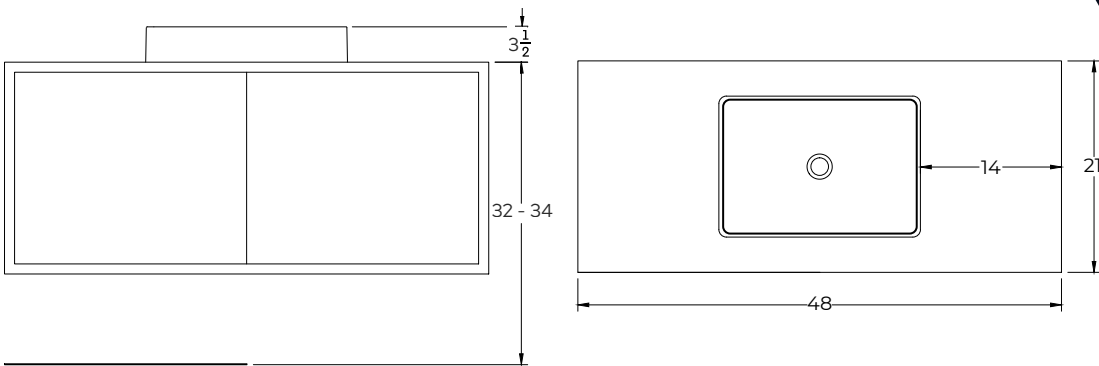




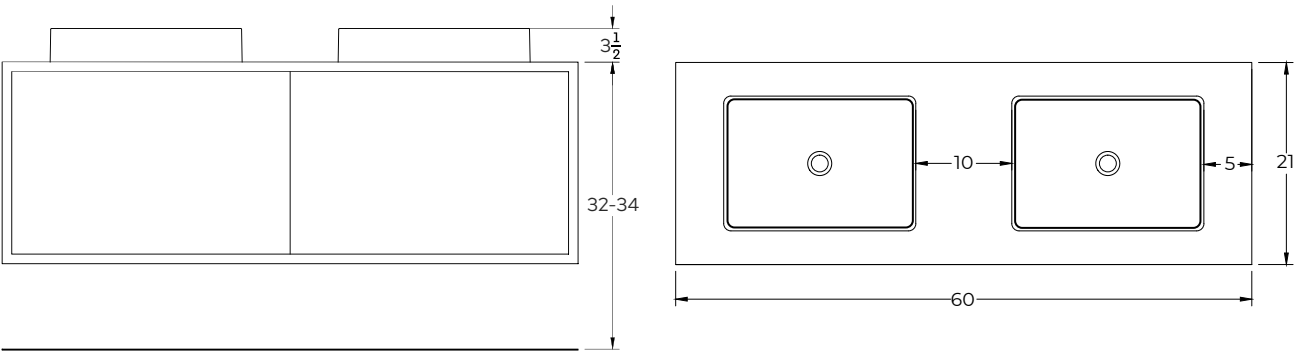
24" vanity



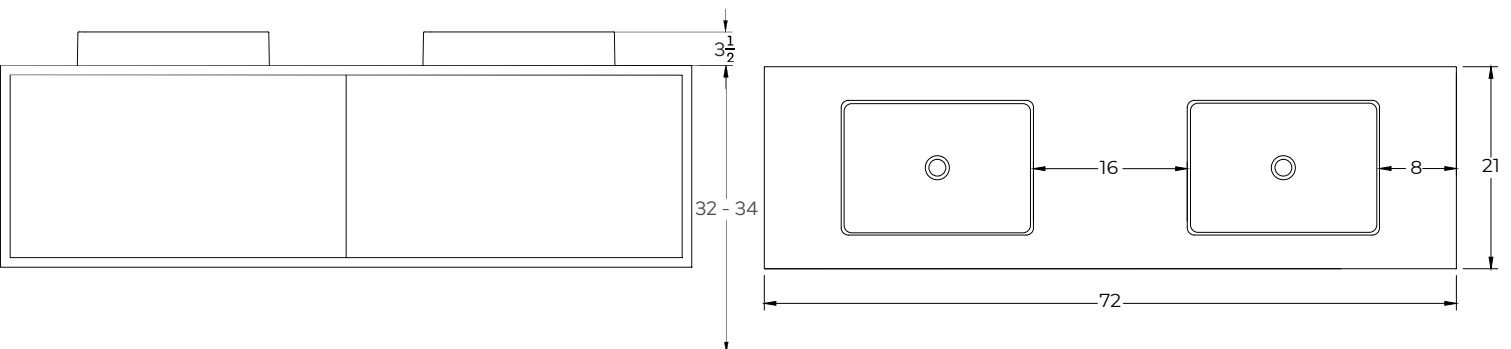
36" vanity



48" vanity



60" vanity



72" vanity



product  
name

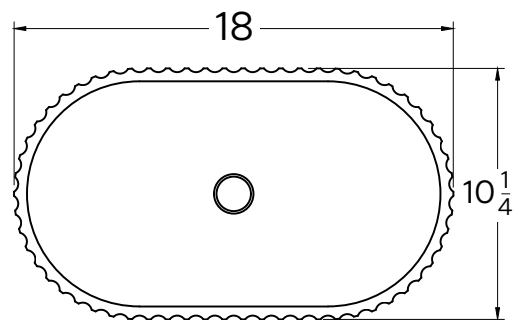
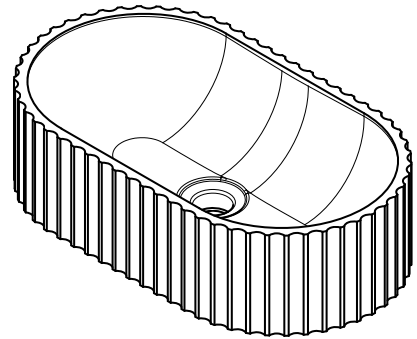
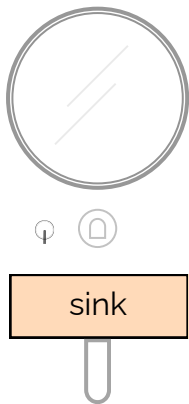
geni

SKU: WBGEN10

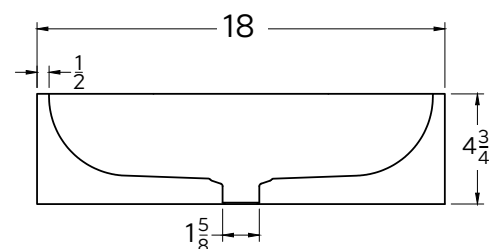
dimensions 18" x 10-1/4" x 4-3/4"

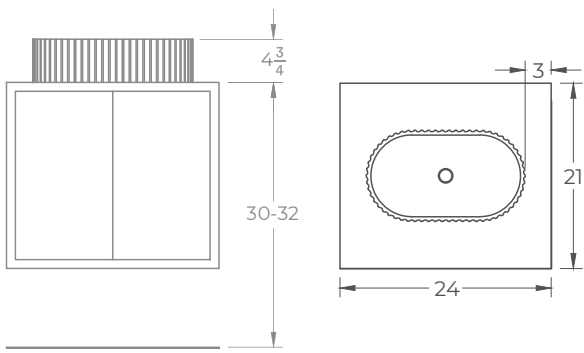
available in 30+ colors

example  
installation

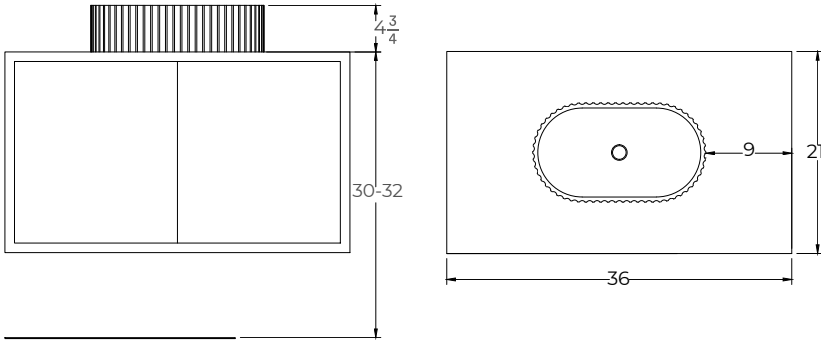


details MATERIAL: ultra high performance concrete  
 WEIGHT: 28 lbs  
 DIMENSIONS: 18" x 10-1/4" x 4-3/4"  
 DRAIN: do not exceed 1-1/2" drain diameter  
 WARRANTY: 1 year manufacturers warranty  
 DRAIN HOLE: 1-5/8"  
 WALL THICKNESS: 1/2"  
 OPTIONS: surface mount / stand / wall mount  
 WALL HANG: mount before tiling - to timber frame  
 or masonry wall.

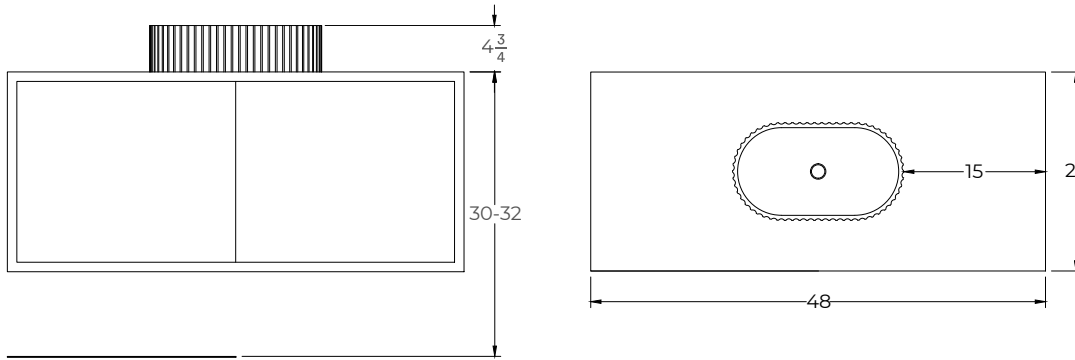




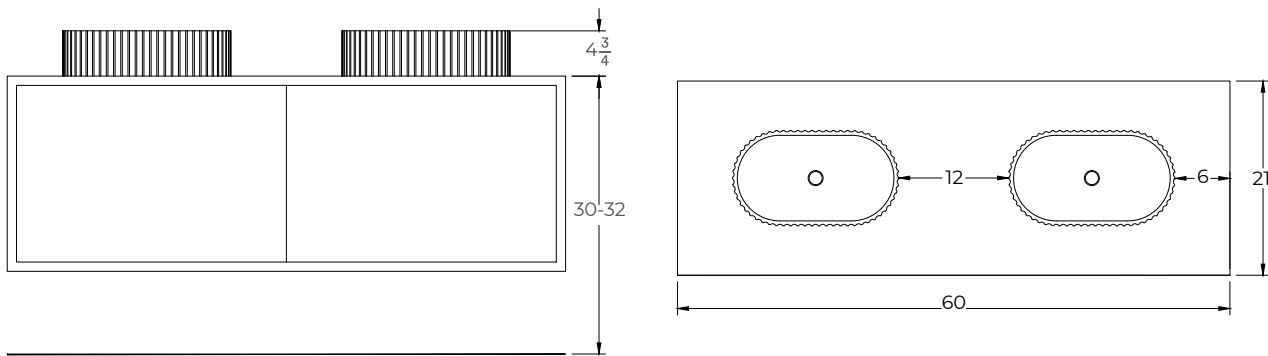
24" vanity



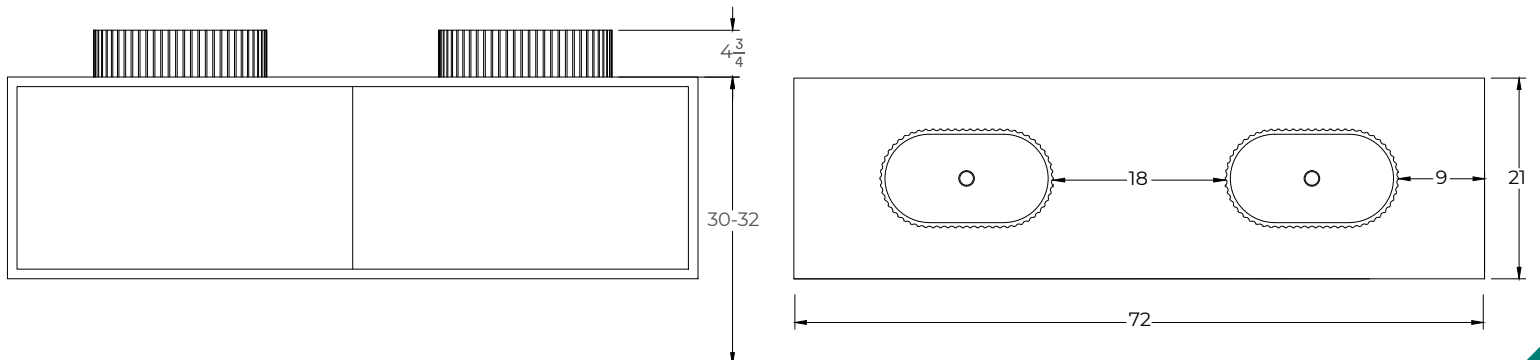
36" vanity



48" vanity



60" vanity



72" vanity



product name

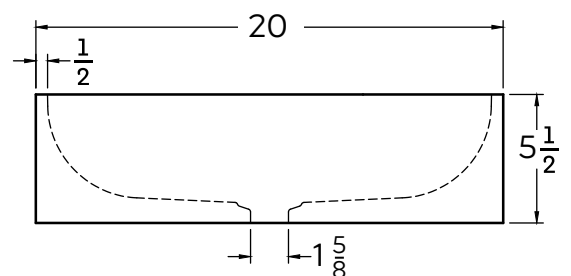
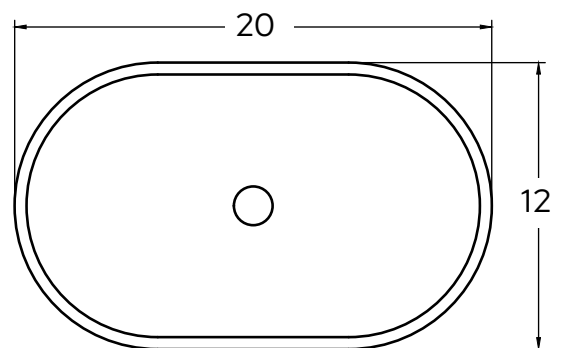
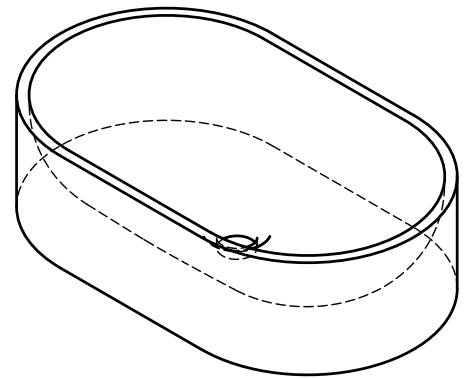
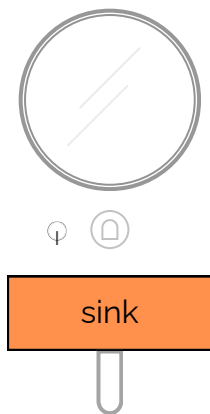
elle

SKU: WBELLE12

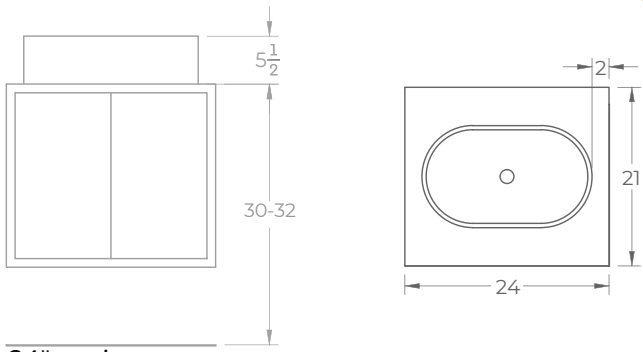
dimensions 20" x 12" x 5-1/2"

available in 30+ colors

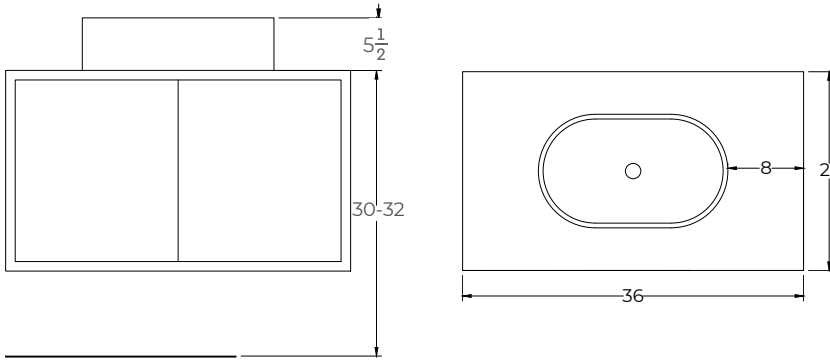
example installation



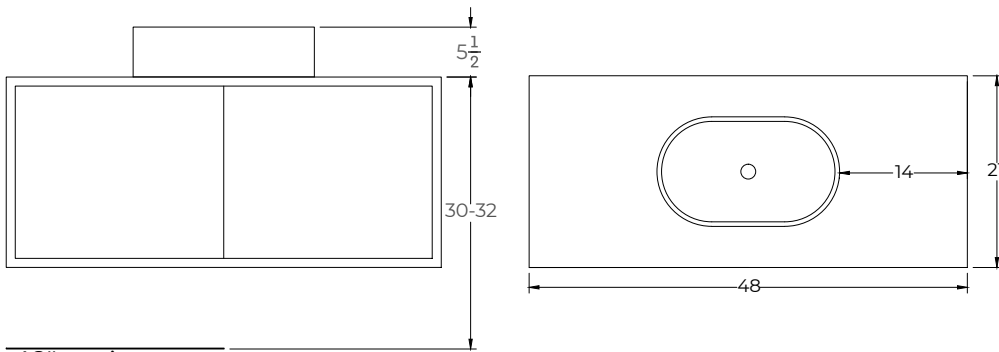
details MATERIAL: ultra high performance concrete  
WEIGHT: 30 lbs  
DIMENSIONS: 20" x 12" x 5-1/2"  
DRAIN: do not exceed 1-1/2" drain diameter  
WARRANTY: 1 year manufacturers warranty  
DRAIN HOLE: 1-5/8"  
WALL THICKNESS: 1/2"  
OPTIONS: surface mount / stand



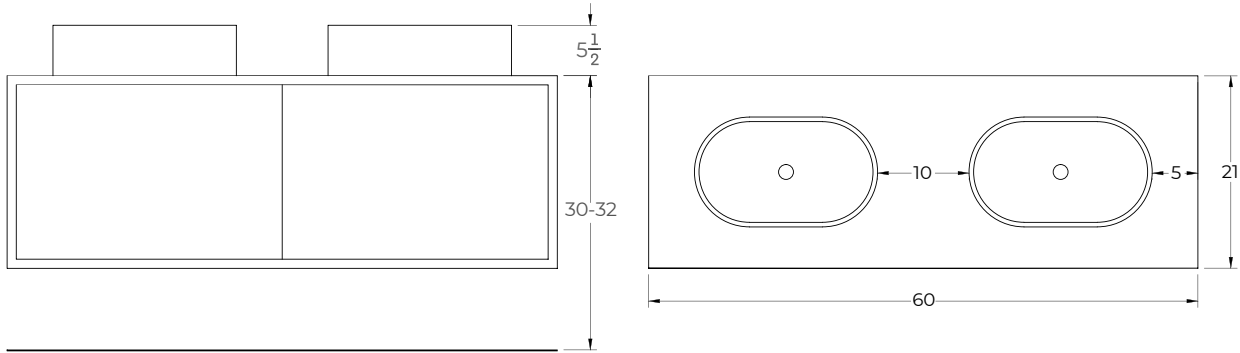
24" vanity



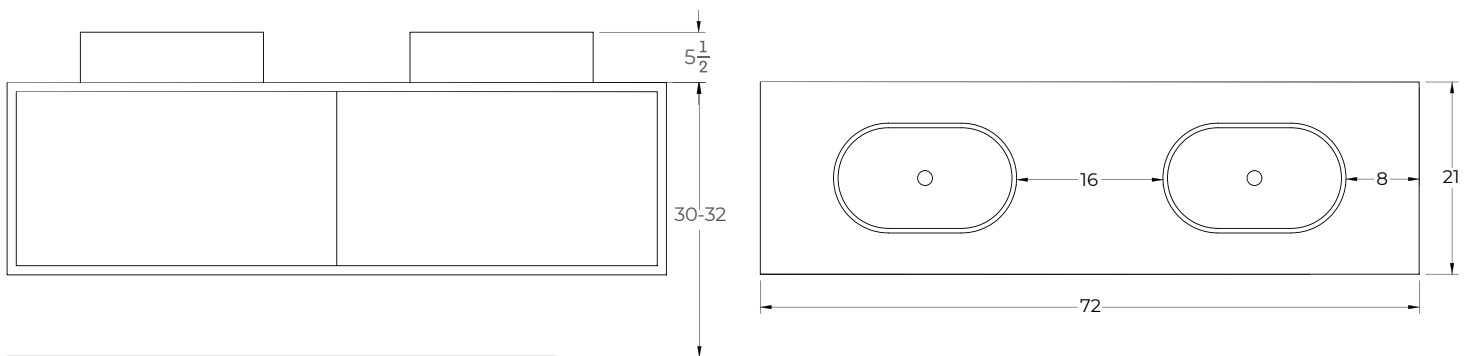
36" vanity



48" vanity



60" vanity



72" vanity





product  
name

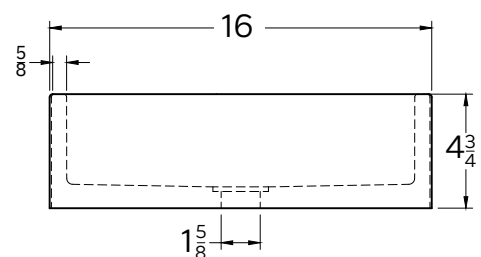
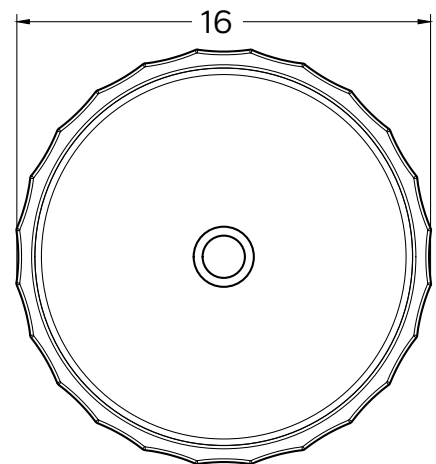
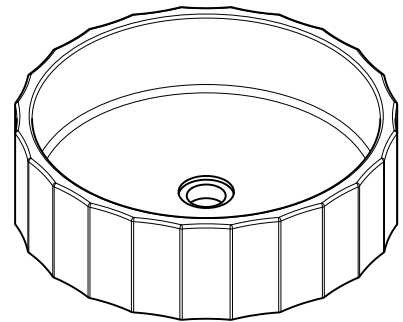
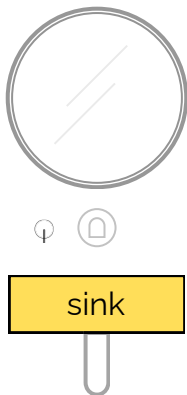
clio

SKU: WBCLIO16

dimensions 16" x 16" x 4-3/4"

available in 30+ colors

example  
installation



details MATERIAL: ultra high performance concrete

WEIGHT: 22 lbs

DIMENSIONS: 16" x 16" x 4-3/4"

DRAIN: do not exceed 1-1/2" drain diameter

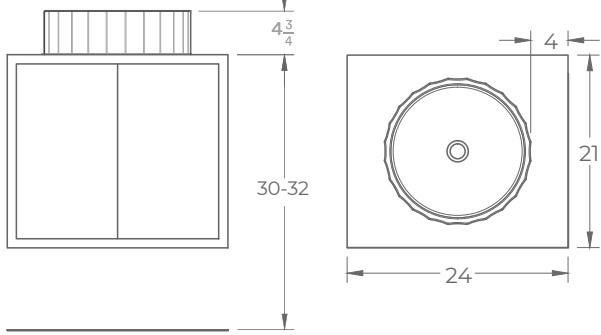
WARRANTY: 1 year manufacturers warranty

DRAIN HOLE: 1-5/8"

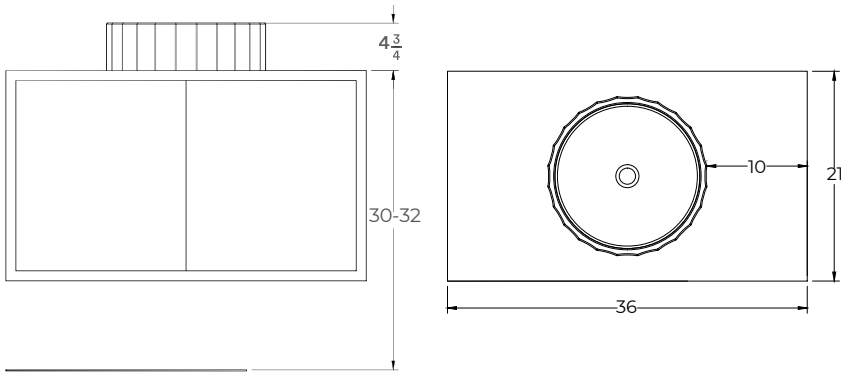
WALL THICKNESS: 1/2"

OPTIONS: surface mount / stand / wall mount

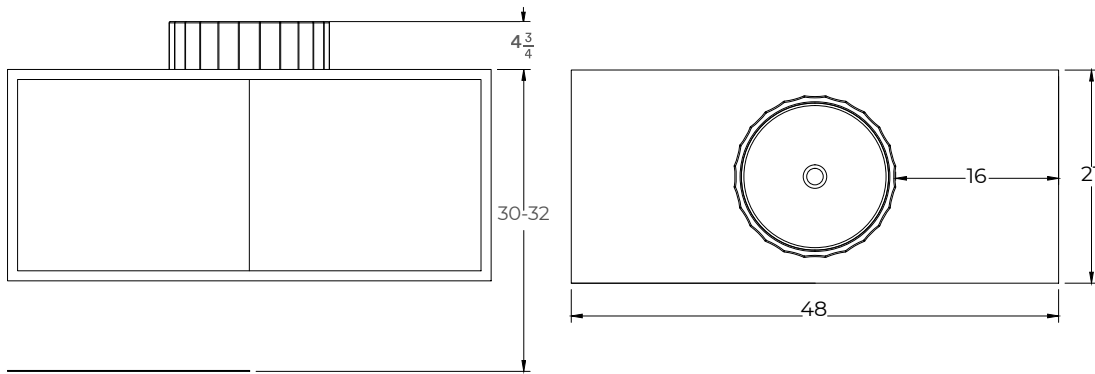
WALL HANG: mount before tiling - to timber frame  
or masonry wall.



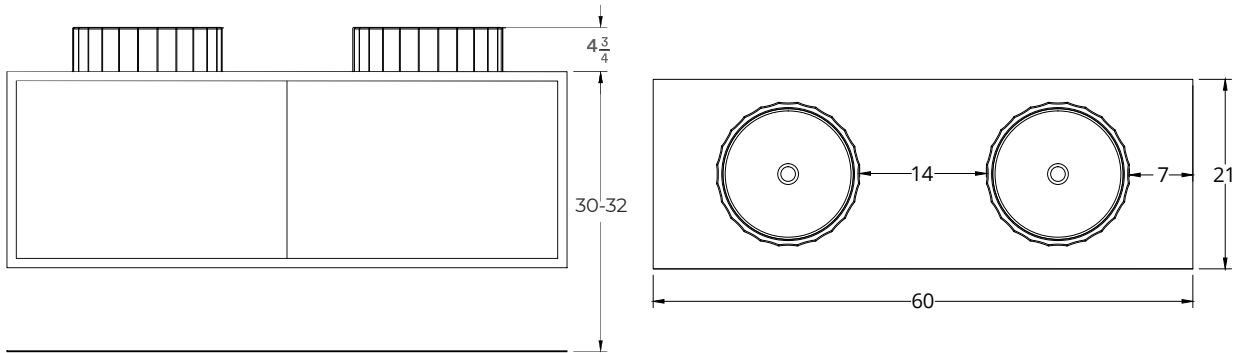
24" vanity



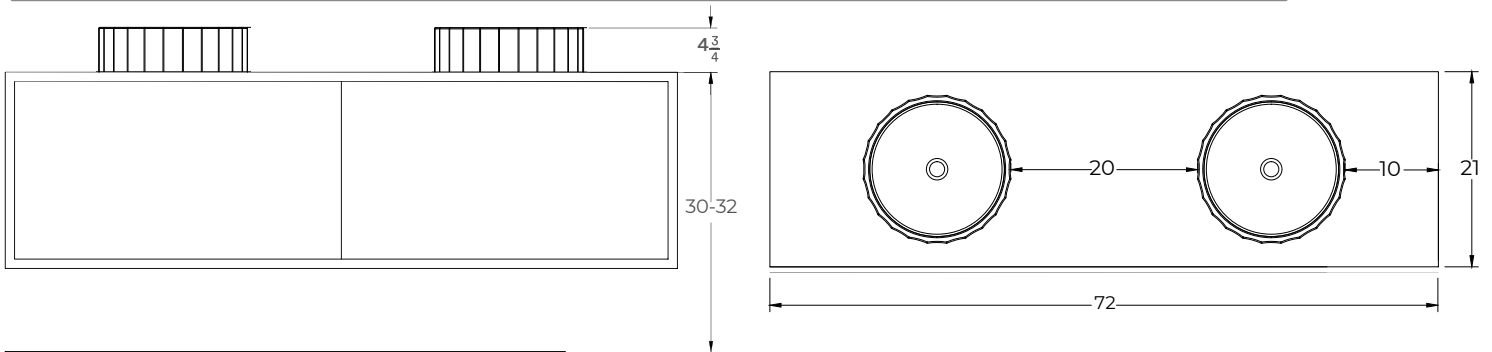
36" vanity



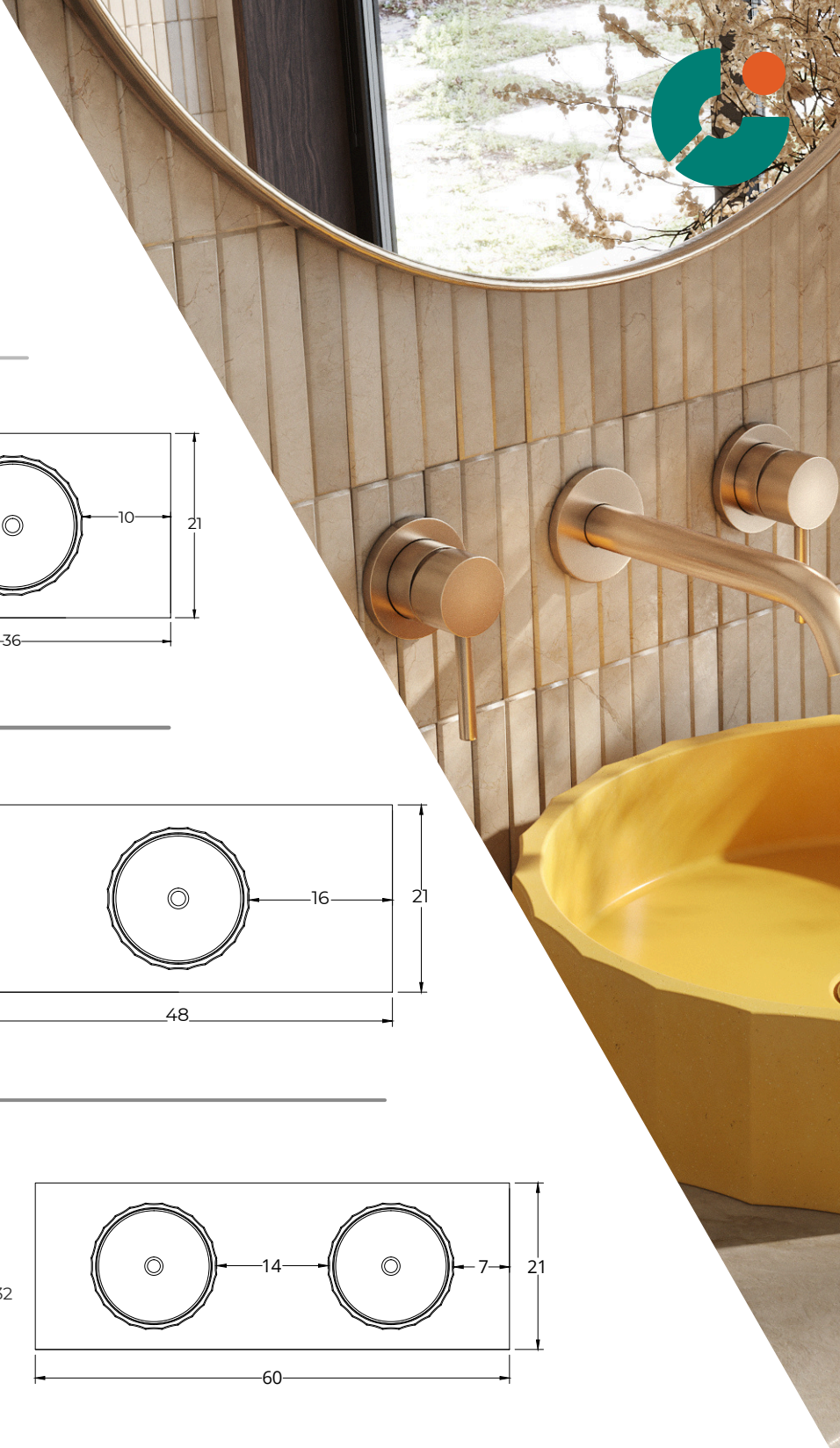
48" vanity



60" vanity



72" vanity





product name

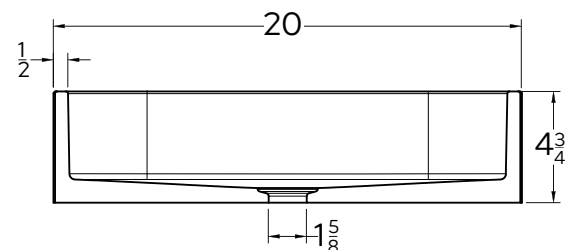
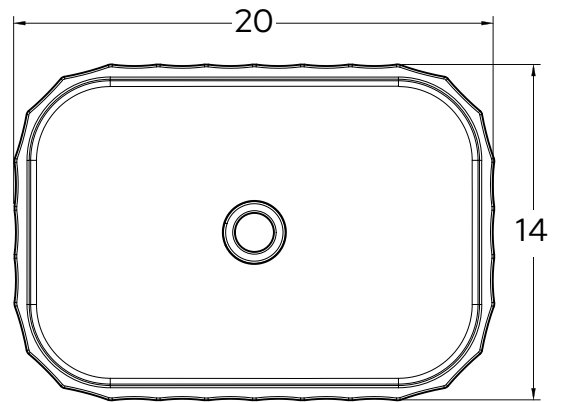
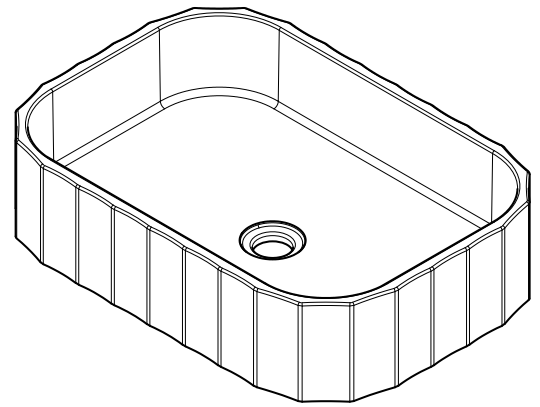
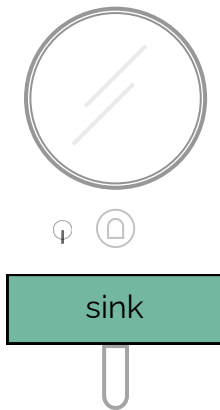
clio rec

SKU: WBCLIR20

dimensions 20" x 14" x 4-3/4"

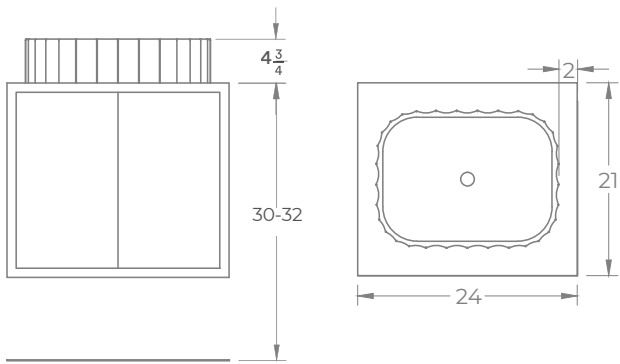
available in 30+ colors

example installation

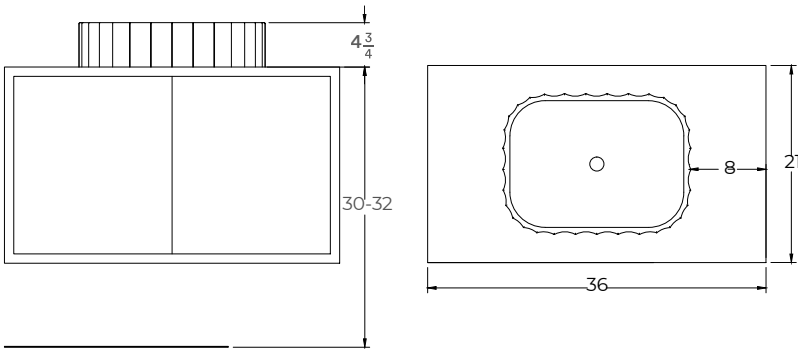


details MATERIAL: ultra high performance concrete  
 WEIGHT: 26 lbs  
 DIMENSIONS: 20" x 14" x 4-3/4"  
 DRAIN: do not exceed 1-1/2" drain diameter  
 WARRANTY: 1 year manufacturers warranty  
 DRAIN HOLE : 1-5/8"  
 WALL THICKNESS: 1/2"  
 OPTIONS: surface mount / wall mount / stand  
 WALL HANG: mount before tiling - to timber frame or masonry wall.

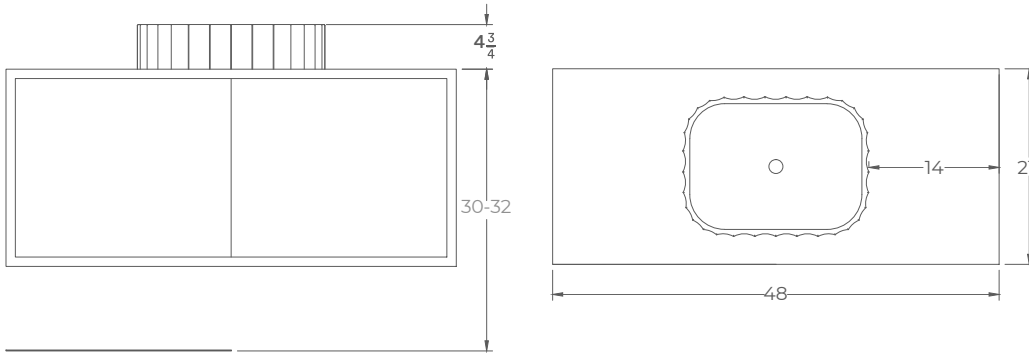




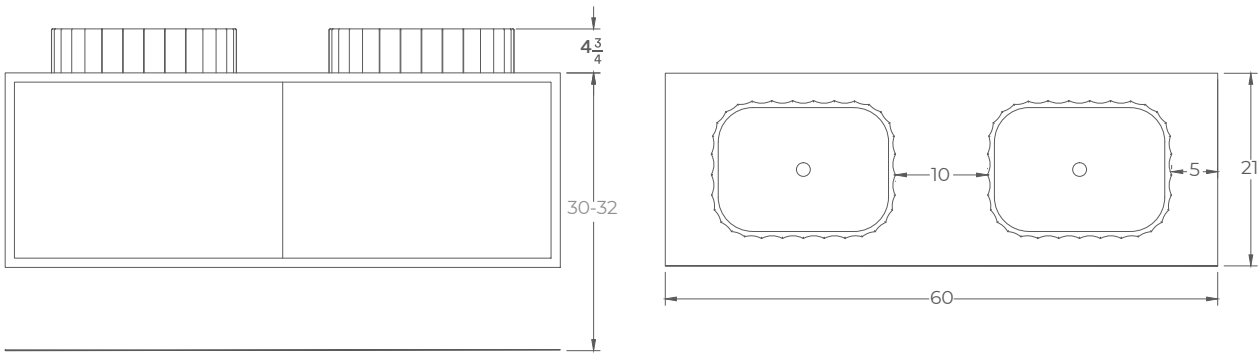
24" vanity



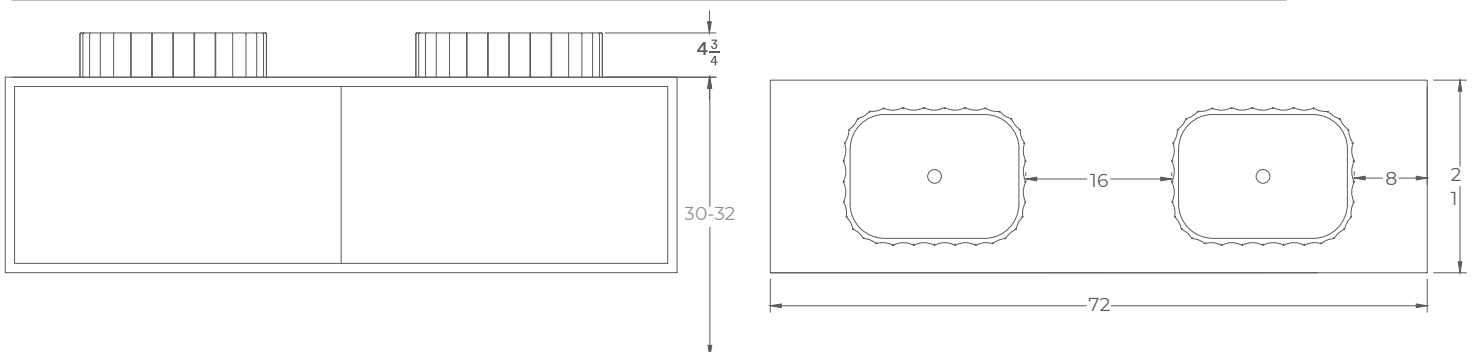
36" vanity



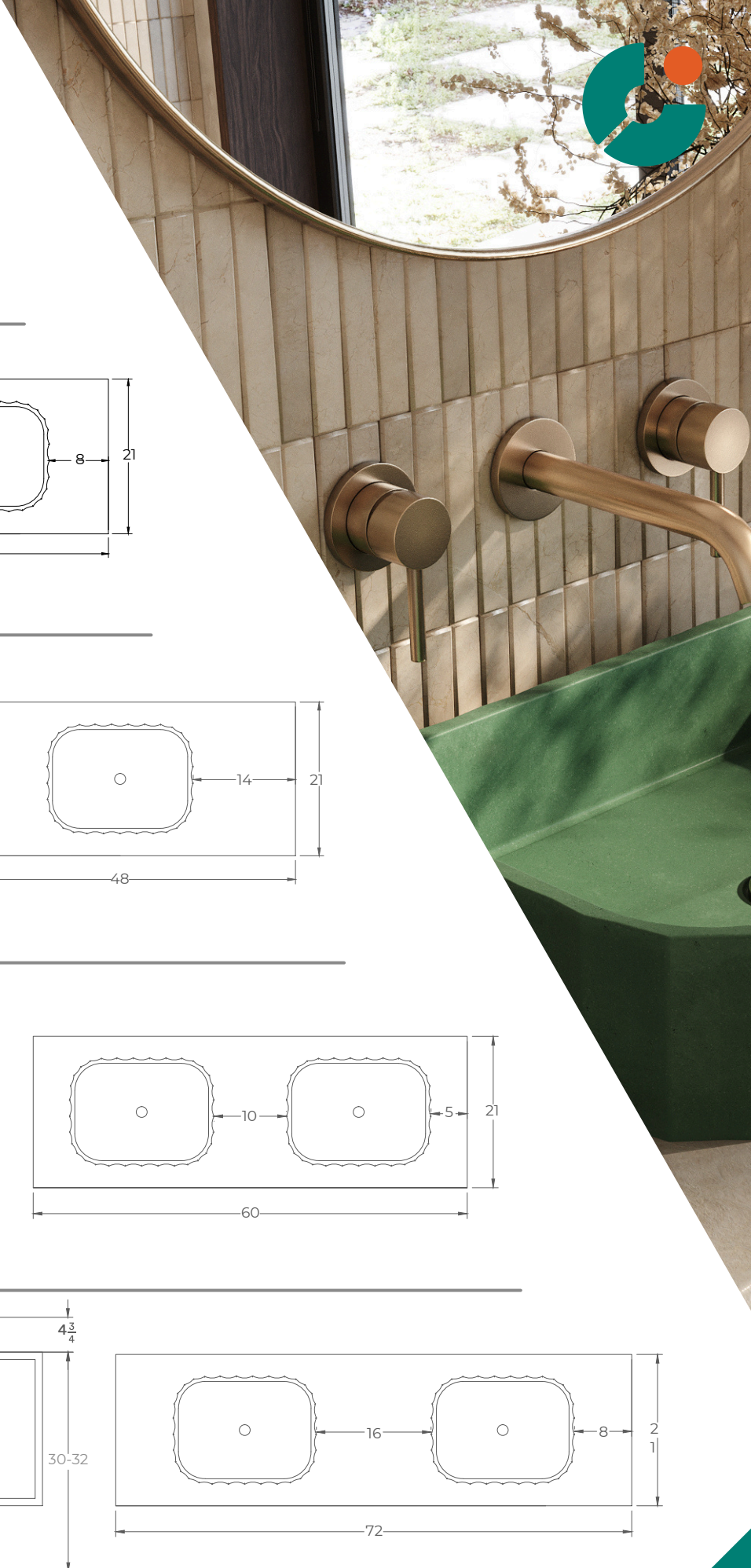
48" vanity

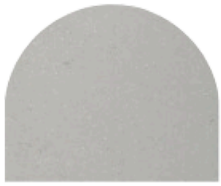


60" vanity



72" vanity





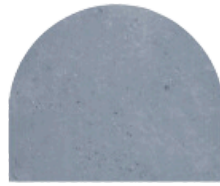
stone .25



stone 1



stone 3



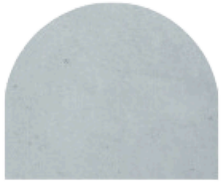
jet .25



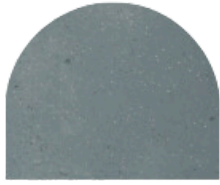
jet 1



jet 3



slate .25



slate 1



slate 3



arctic



sky



lapis



rose



bliss



cherry



peony



coral



fire



silk



honey



sun



lace



blush



ruby



mint



sage



fern



oat



linen



sand



merlot



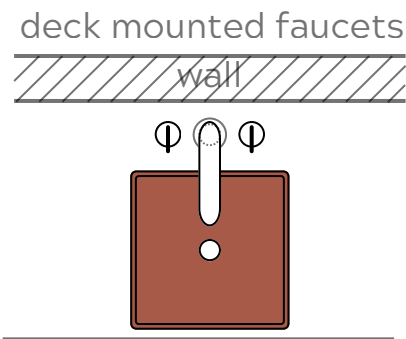
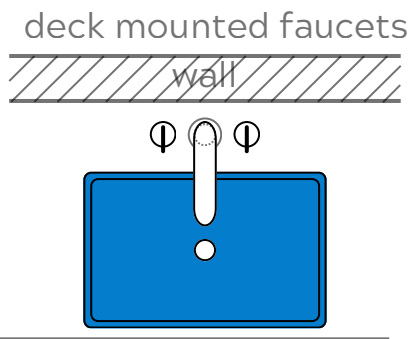
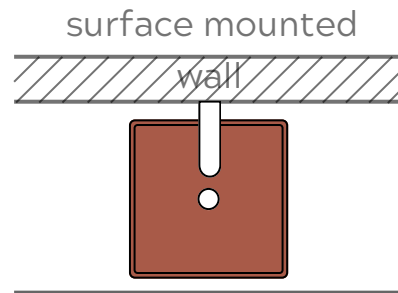
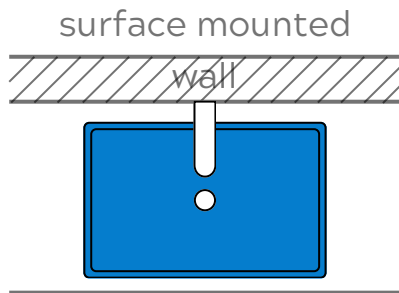
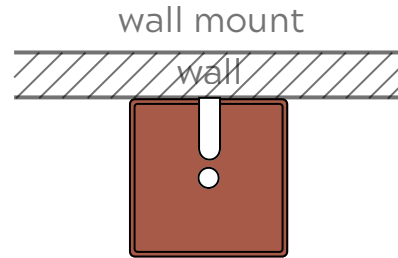
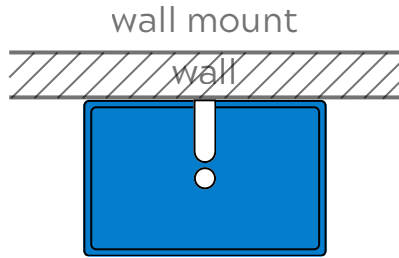
rust



royal



pine



## concrete characteristics



### pleasant to touch

the natural feel of concrete provides a tactile experience every time you use it.



### eco-friendly production

all sinks are made with 45% recycled material and are 100% recyclable.



### easy to clean

encompassed in a total surface seal; cleaning is easy to complete using non-abrasive, non-acidic cleaners



### impact and scratch resistant

reinforced with natural fiberglass ensures its resistance under load, and damage from impact. this guarantees security in transport, installation, and everyday use.



product  
name

gracin

SKU: VSGR60

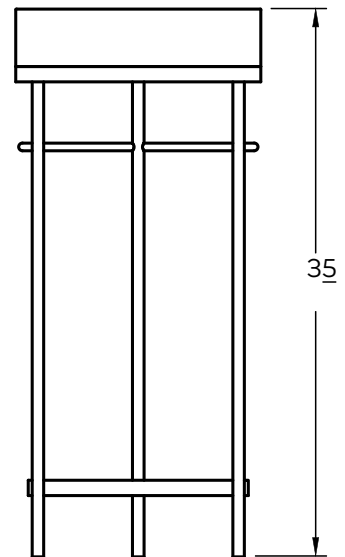
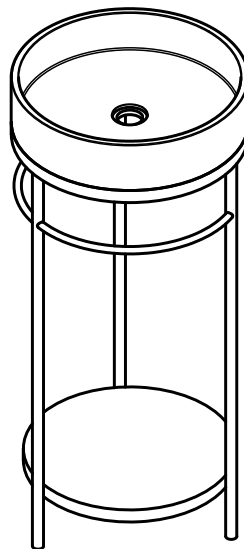
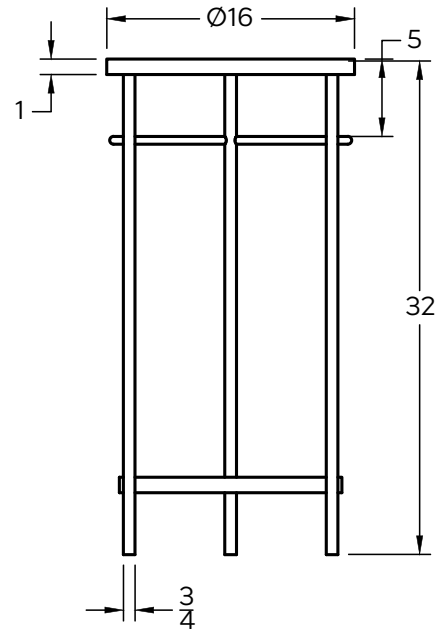
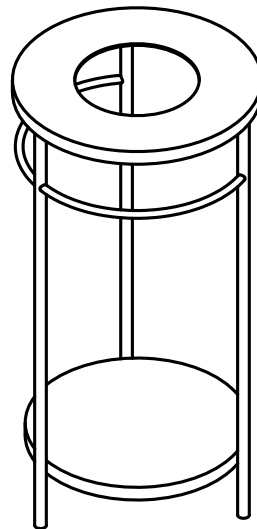
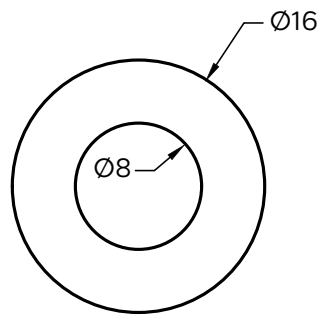
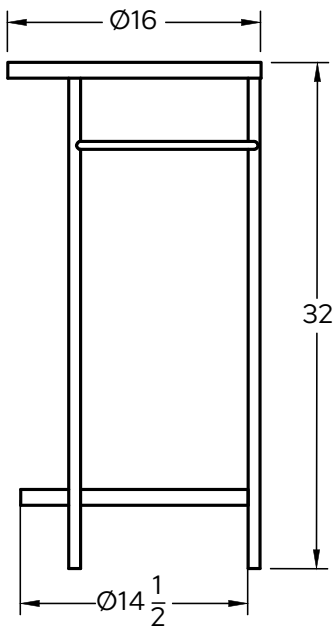
dimensions

32" x 16"Ø

available in 8 colors

Side

Top



details MATERIAL: powder-coated mild steel  
 WEIGHT: 28 lbs  
 DIMENSIONS: 32" x Ø 16"  
 PAIRS WITH: lily (WBLILY16)  
 WARRANTY: 1 year manufacturers warranty  
 COLOR OPTIONS: onyx, blanco, tungsten,  
 emerald, sapphire, crimson, marigold,  
 sunburst

product  
name

marcus

SKU: VSMA16

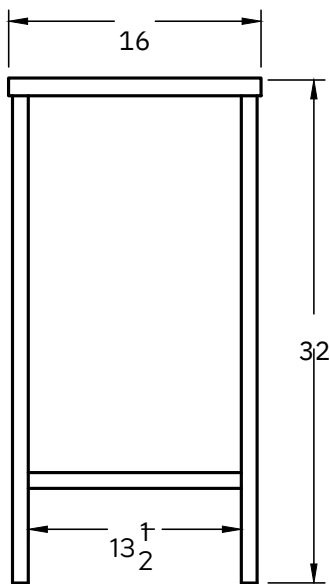
dimensions

32" x 16" x 16"

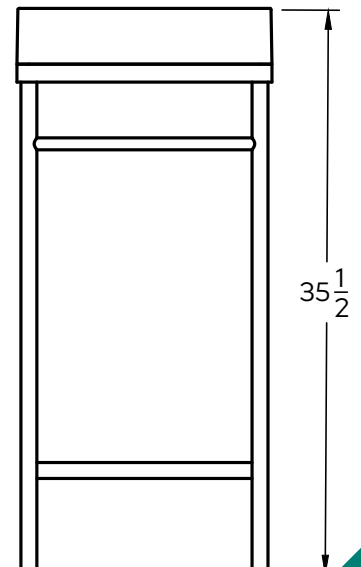
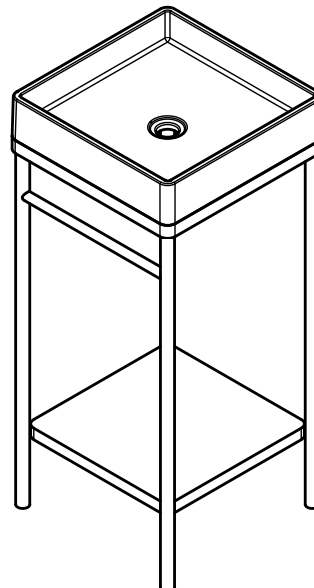
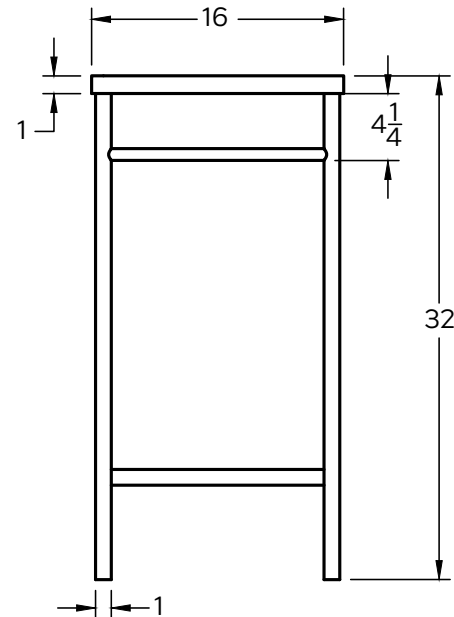
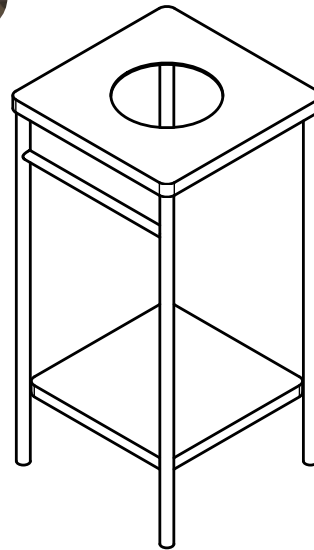
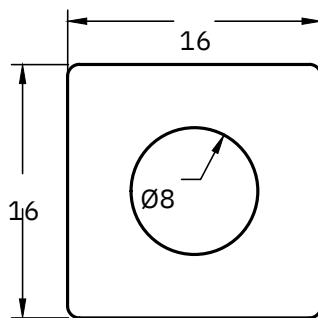
available in 8 colors



Side



Top



details MATERIAL: powder-coated mild steel  
 WEIGHT: 28 lbs  
 DIMENSIONS: 32" x 16" x 16"  
 PAIRS WITH: lily sq (WBLILS16)  
 WARRANTY: 1 year manufacturers warranty  
 COLOR OPTIONS: onyx, blanco, tungsten,  
 emerald, sapphire, crimson, marigold,  
 sunburst

product name

rohen

SKU: VSRO20

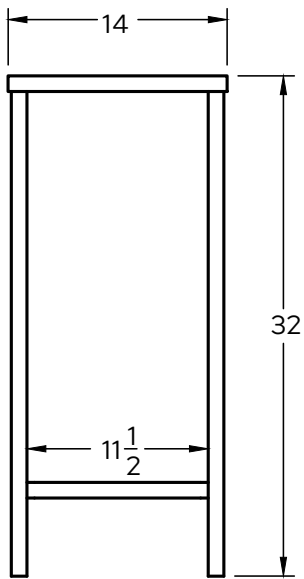
dimensions

32" x 20" x 14"

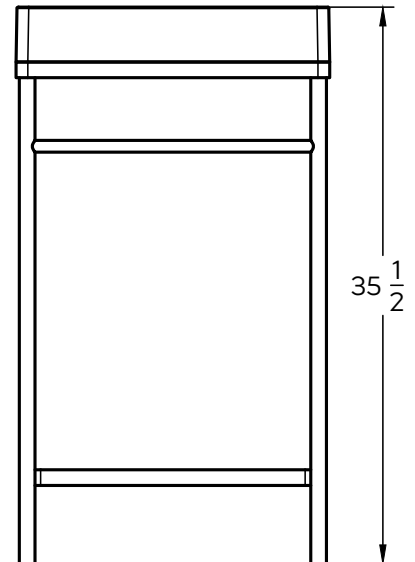
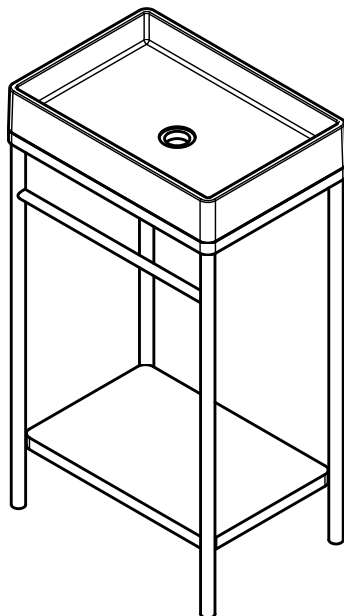
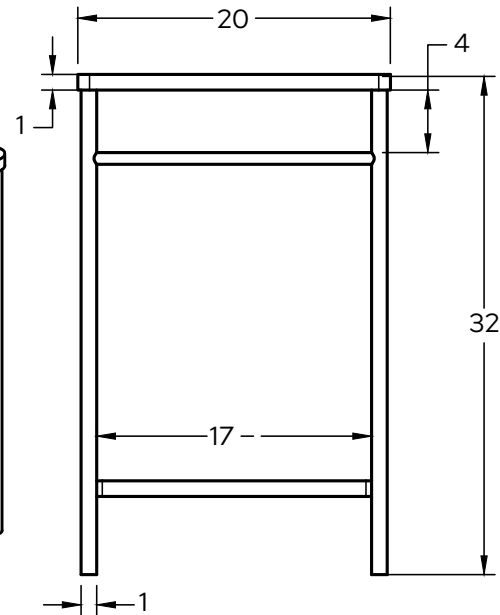
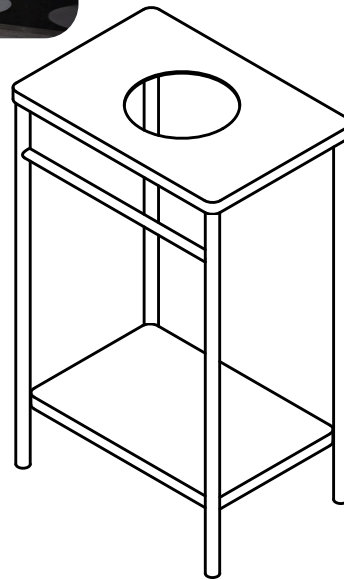
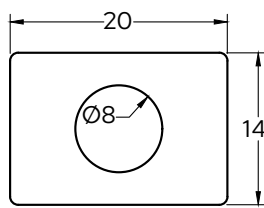
available in 8 colors



Side

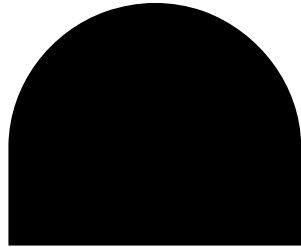


Top

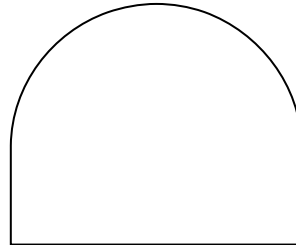


details MATERIAL: powder-coated mild steel  
 WEIGHT: 28 lbs  
 DIMENSIONS: 32" x Ø 16"  
 PAIRS WITH: lily rec (WBLILR20)  
 WARRANTY: 1 year manufacturers warranty  
 COLOR OPTIONS: onyx, blanco, tungsten, emerald, sapphire, crimson, marigold, sunburst

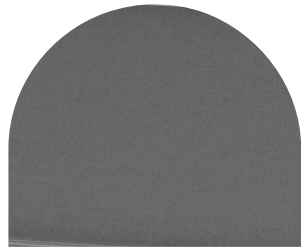
# console colors



**onyx**



**blanco**



**tungsten**



**sapphire**



**sunburst**



**marigold**



**crimson**



**emerald**

get your crete sink at

**cretecollective.com**

**disclaimer:**

The information contained in this catalog is provided for informational purposes only and shall not be construed as offering comprehensive installation instructions or professional advice. The representations of color, texture, and detailed specifications of our concrete sink vessel products are provided as a reference guide and may not be entirely indicative of the final product due to the inherent variations in the materials used and individual crafting processes. Crete Collective shall not be held liable for any discrepancies or variations from the depicted product and the actual product received. All installation procedures must be performed by qualified professionals, and Crete Collective disclaims any liability for damages incurred as a result of improper installation or use of the products. The contents of this catalog are the intellectual property of Crete Collective and are not to be used without express written consent. For the most current product specifications and further assistance, please contact our customer service department. Crete Collective reserves the right to alter or update our product designs, specifications, and availability at any time without prior notification.