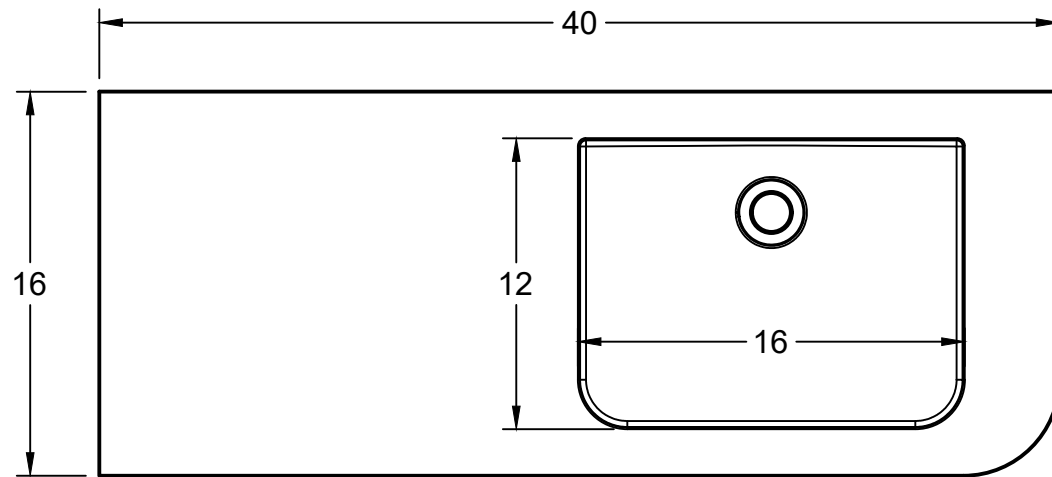
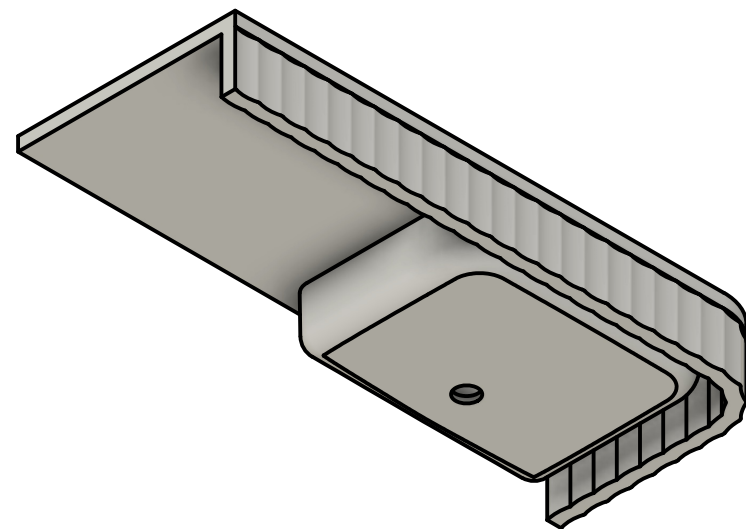


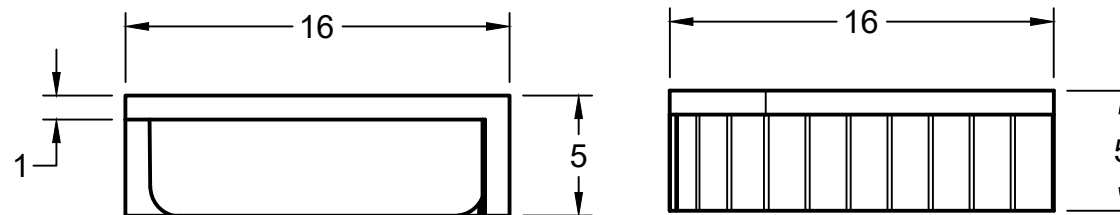
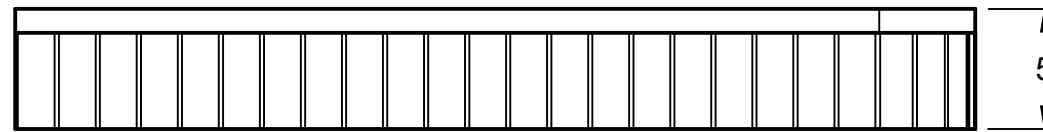
SINK CAN BE LEFT OR RIGHT



BRACKET REQ.
FOR SINK SIDE

INCLUDED W/SINK

BRACKET TO BE
INSTALLED INSIDE
WALL TO STUDS



PROJECT **Crete Collective Final Sink Designs**

APPROVED

TITLE **Maya Right Side Sink**

CHECKED

DRAWN Sam Wilkins 2024-10-08



Notes:

The drawings, plans, and specifications are the exclusive property of Crete Collective and are protected by copyright laws. A non-exclusive, non-transferable license is granted solely for constructing the depicted project. The drawings are for informational purposes only, and may not be reproduced, distributed, modified, or disclosed without prior written consent. All rights are retained, and the drawings are provided "as is," with no liability assumed for errors or omissions.

REV

DWG NO

SIZE B

SCALE 1:5

WEIGHT

SHEET 1/1