

iris

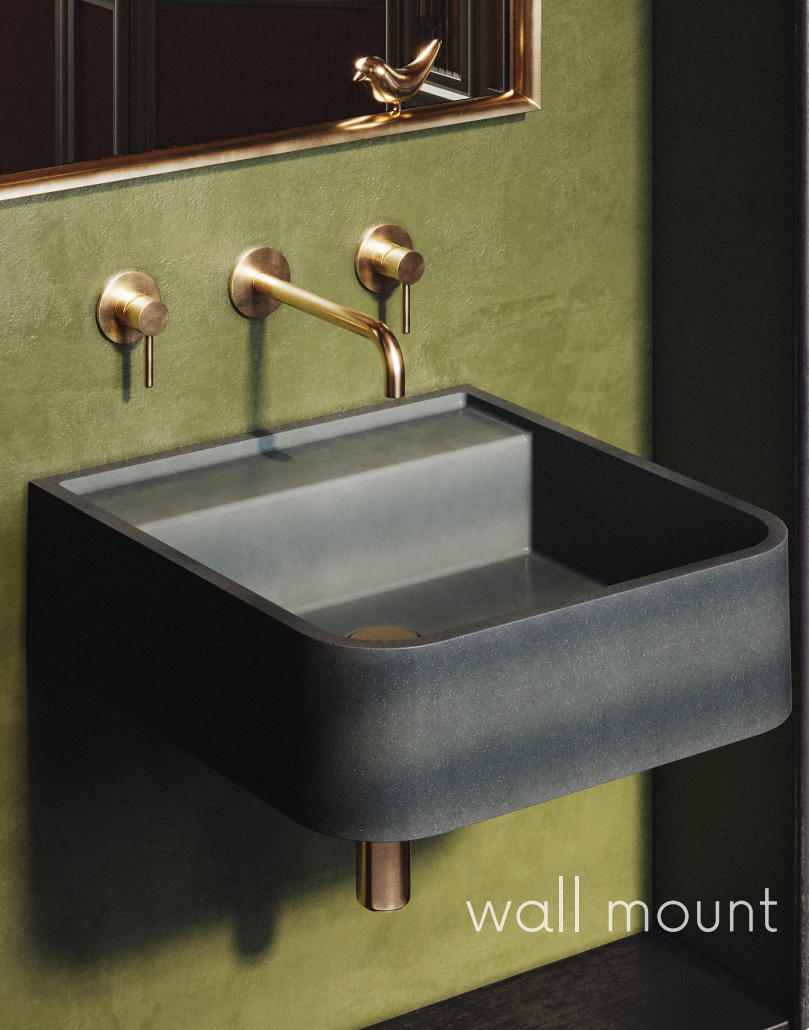
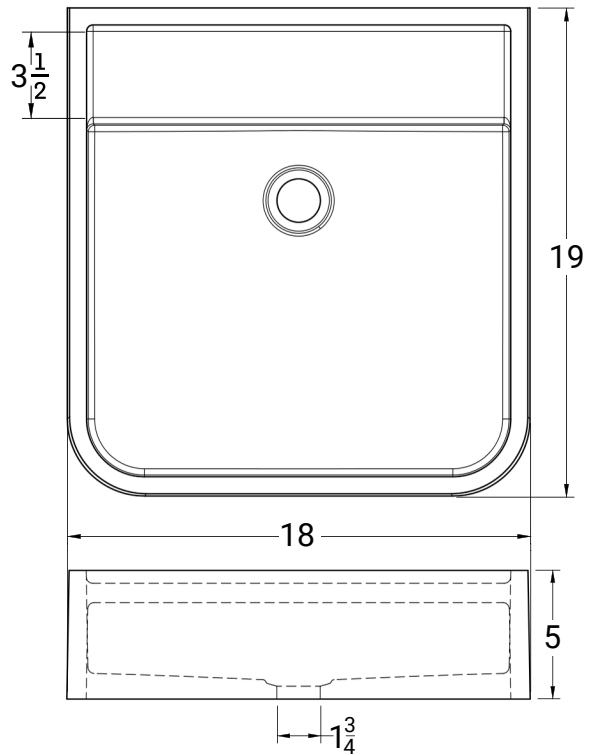
sku: wbiris19

product
name

available in all color options

dimensions
18" x 19" x 5"
45.7 x 48 x 12.7 cm

weight
35lbs - 15.9kg



wall mount

This sink is ADA Compliant when installed per section 606 (Sinks and Lavatories) of the ADA Accessibility Guidelines



deck mount

- options** surface mount (WBIRISUR19)
wall mount (WBIRIS19)
- faucet setup** Available in 1-hole, 3-hole, or no-hole configurations for use with wall-mounted or deck-mounted faucets.
- wall bracket** mount to solid backing before covering with drywall/tile
- drain opening** 1 3/4"
do not exceed 1-1/2" drain diameter | no overflow
- material** ultra high performance concrete w/ color pigment
- warranty** 1 year manufacturers warranty